

Zenex Multi & Plus Kit Zenex Easy Surgery Kit

Zenex Multi & Plus Kit

Zenex Easy Surgery Kit

IZEN
I M P L A N T
izenimplant Co.,Ltd.

IZ-CAT-05 Rev.00 (06/20)

HQ & Factory
1, 2Dong, 26-32, Suworam 4-gil, Seotan-myeon, Pyeongtaek-si,
Gyeonggi-do, Republic of Korea

Sales Office
#1013, #1014 Central-Tower II, 158, Magokseo-ro, Gangseo-gu, Seoul,
Republic of Korea
Tel. +82-2-3664-3666
Fax. +82-31-662-0658


IZEN

www.izenimplant.com

IZEN
I M P L A N T
izenimplant Co.,Ltd.

Z E N E X
MULTI&PLUS
K I T

012 Zenex Easy Surgery Kit



IZEN Implant, innovative technology in pursuit of **bright smile**

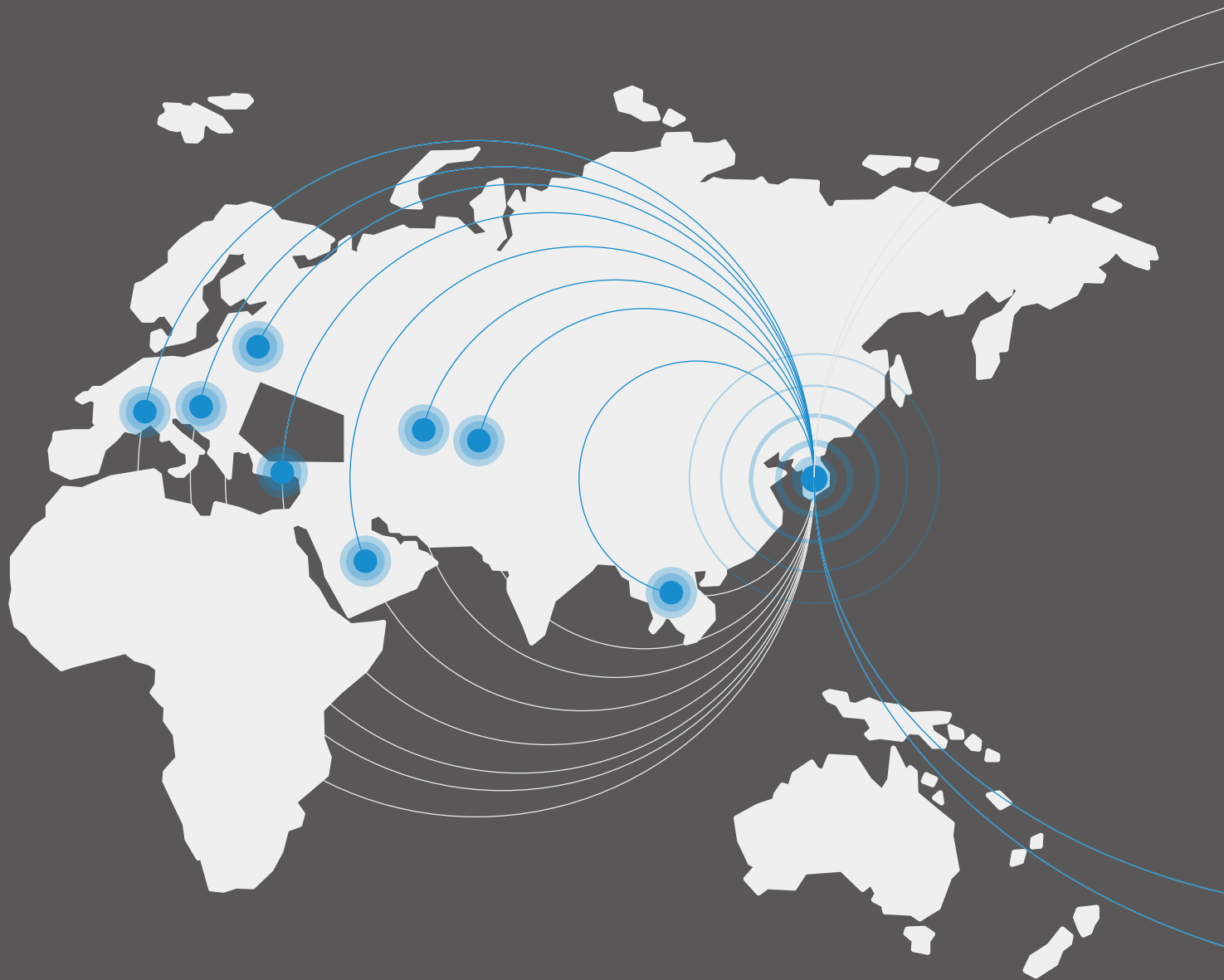
Established in 2016 by developers and researchers who have spent more than 20 years on research and development in dental implants, IZEN Implant have working on developing innovative products to provide the best result to patients. We will continue to grow into a company that meets customers' needs with safe and excellent products made of trust and continuous research and development.

IZEN Implant provides more convenient, stable, and optimized implant system by building product line-up with high-end technology of Zenex Multi and Zenex Plus.

Certification



History & Global Network



2016. 03

Foundation of IZEN Implant

2016. 06

Acquisition of manufacturing licenses for medical devices
Report medical device items
(Screw driver for dental implant surgery, No. 16-760)

2016. 12

Patent registration
(Driver holder and driver apparatus for dental engineering, No. 10-1684959)

2017. 03

Patent registration
(Driver holder for dental apparatus, No. 10-1714533, No. 10-1714541)

2018. 08

Venture Business Certificate
(No. 20180110278)

2018. 09

Foundation of Corporate
Affiliated Research Institute (No. 2018114470)

2019. 06

Acquisition of small businesses
technology development project
(Development of Dental implant abutments and scan body for

2019. 11

Acquisition of ISO13485:2016
(GIS-4058-MD)



2017. 09

Registration of medical devices
(Apparatus for dental implant
surgery, No. 17-1033)

2018. 03

Certification of medical
device items compliance with
manufacturing and quality
control standards (KGMP)

2018. 04

Medical Device Item Certification
(Dental implant abutments, No.
18-4268)

2018. 07

Acquisition of ISO 9001 : 2015
(K-GM-4699)

2019. 12

Patent registration
(Abutment and dental implant,
No. 10-2062575)

Kit Contents

Zenex Easy
Surgery Kit
012



Guide
Drill
014



Lindemann
Drill
014



Drill
Extension
015



Step
Drill
015



Cortical
Drill
017



Direction
Pin
017



Parallel
Pin
018



Fixture
Driver
018



1.2 Hex
Driver
020



Torque
Wrench
020



Depth
Gauge
021



Steel
Bowl
021



Tissue
Punch
032



Trephine
Drill
032



Bone
Profiler
033



IZEN
I M P L A N T

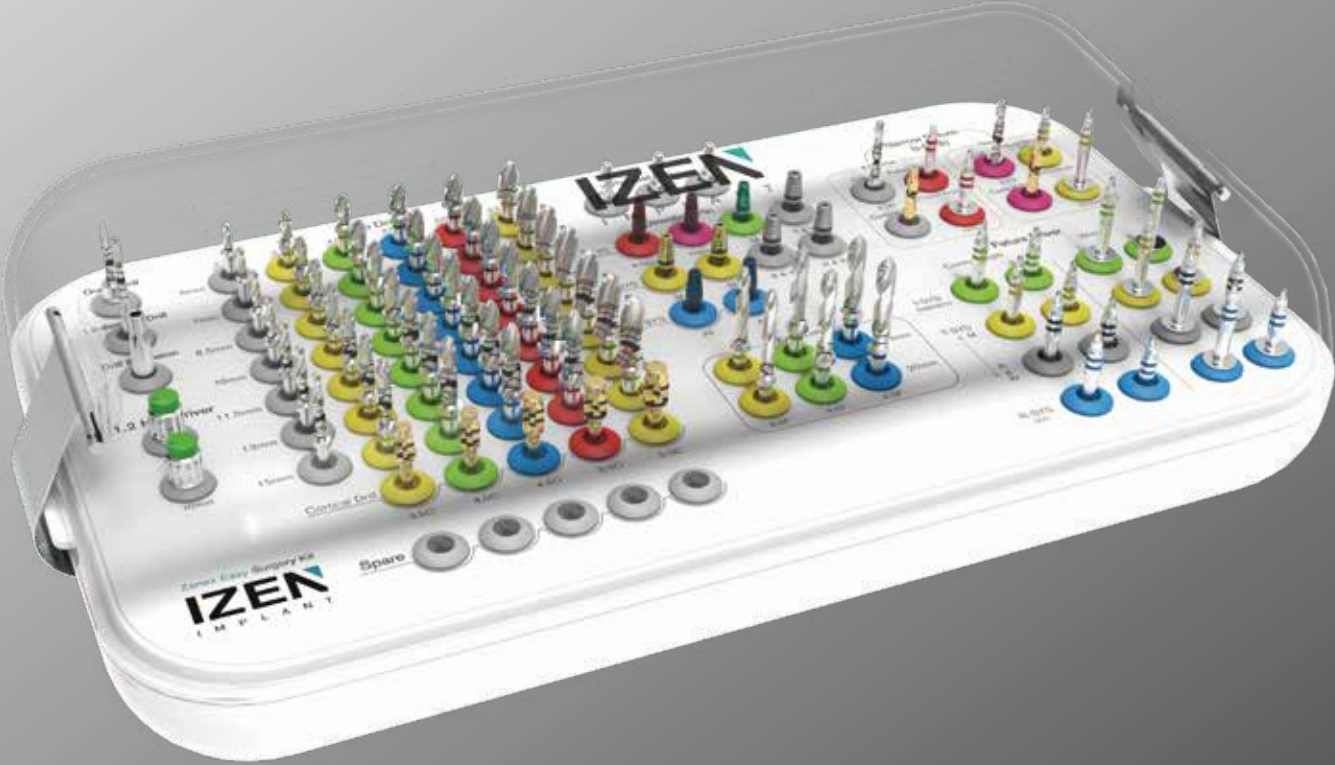
009
ZENEX
KIT

010 ZENEX
KIT

IZEN
I M P L A N T

ZENEX EASY SURGERY KIT

Zenex Easy Surgery Kit



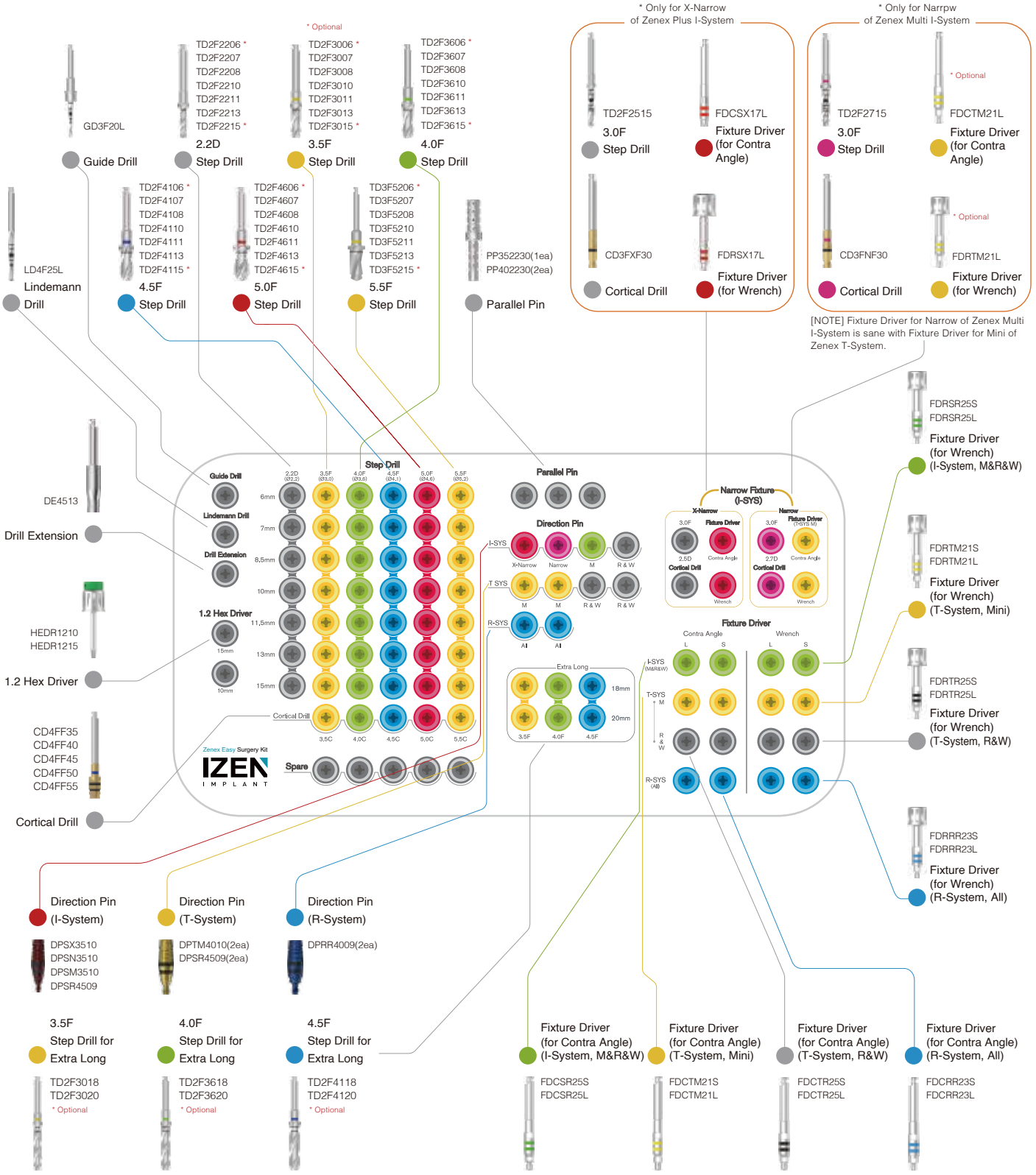
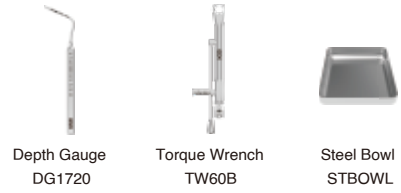
12 ZENEX
KIT

Zenex Easy Surgery Kit
IZEN
IMPLANT

Spare

Zenex Easy Surgery Kit

Composition on lower kit tray



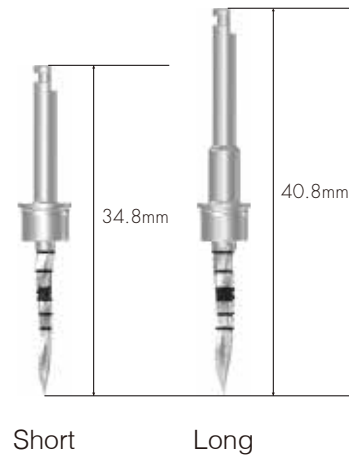
013 ZENEX KIT

Zenex Easy Surgery Kit Instruments

Guide Drill

- Drill to mark base hole on the bone for easy initial drilling
- Available to control drilling depth by using with stopper
- Product Code in the Kit: GD3F20L

| | | |
|--------------|-------------|--|
| D (mm) | Ø1.5 / Ø2.0 | |
| Short | GD3F20S | |
| Long | GD3F20L | |



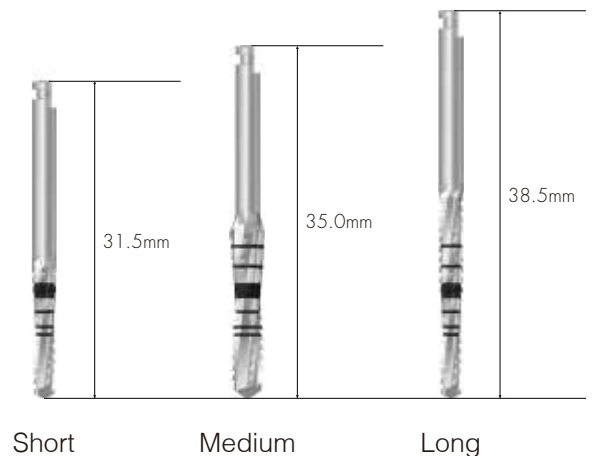
014
ZENEX
KIT

Lindemann Drill

- Outward blades allow side cutting during drilling
- Available to use when removing ridge part of extraction socket
- Product Code in the Kit: LD4F25L

| | | |
|--------------|-------------|-------------|
| D (mm) | Ø1.5 / Ø2.0 | Ø2.0 / Ø2.5 |
| Short | LD4F20S | LD4F25S |
| Long | LD4F20L | LD4F25L |

| | | |
|---------------|-------------|--|
| D (mm) | Ø3.0 / Ø3.5 | |
| Medium | LD4F35M | |



Drill Extension

- Lengthen surgical instrument in use by connecting to drill and Implant motor
- Be sure to use after accurate connection to prevent product detachment or bending that connected to Drill Extension

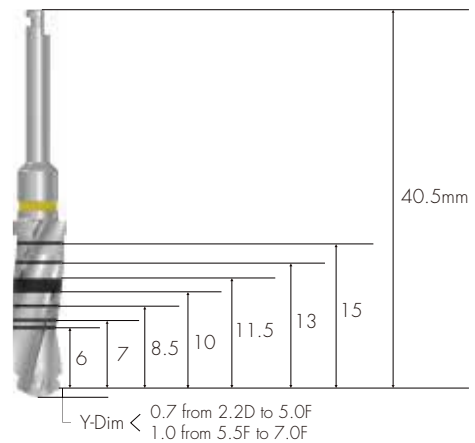
DE4513



Step Drill

- Straight drill to shorten surgery steps
- As stopper is applied in the drill, secure to use although depth control may be difficult due to excellent cutting power
- Colored line on grip part of drill indicates diameter of drill and matching fixture size.

* Optional



- Two kinds of step drill for X-Narrow (Zenex Plus I-System) & Narrow (Zenex Multi I-System) are included in the Kit.



X-Narrow

Narrow

3.0F (Ø2.2 / Ø2.5)

3.0F (Ø2.2 / Ø2.7)

L (mm)

15.0

TD2F2515

TD2F2715

Zenex Easy Surgery Kit Instruments

Step Drill

* Optional

| L (mm) | 2.2D | 3.5F | 4.0F |
|-----------|----------------------|----------------------|---------------|
| | (Ø1.8 / Ø2.2) | (Ø2.2 / Ø3.0) | (Ø3.0 / Ø3.6) |
| 6.0 | TD2F2206 * | TD2F3006 * | TD2F3606 * |
| 7.0 | TD2F2207 | TD2F3007 | TD2F3607 |
| 8.5 | TD2F2208 | TD2F3008 | TD2F3608 |
| 10.0 | TD2F2210 | TD2F3010 | TD2F3610 |
| 11.5 | TD2F2211 | TD2F3011 | TD2F3611 |
| 13.0 | TD2F2213 | TD2F3013 | TD2F3613 |
| 15.0 | TD2F2215 * | TD2F3015 * | TD2F3615 * |
| 18.0 | - | TD2F3018 * | TD2F3618 * |
| 20.0 | - | TD2F3020 * | TD2F3620 * |
| L (mm) | 4.5F | 5.0F | 5.5F |
| | (Ø3.0 / Ø3.6 / Ø4.1) | (Ø3.0 / Ø4.1 / Ø4.6) | (Ø4.6 / Ø5.2) |
| 6.0 | TD2F4106 * | TD2F4606 * | TD3F5206 * |
| 7.0 | TD2F4107 | TD2F4607 | TD3F5207 |
| 8.5 | TD2F4108 | TD2F4608 | TD3F5208 |
| 10.0 | TD2F4110 | TD2F4610 | TD3F5210 |
| 11.5 | TD2F4111 | TD2F4611 | TD3F5211 |
| 13.0 | TD2F4113 | TD2F4613 | TD3F5213 |
| 15.0 | TD2F4115 * | TD2F4615 * | TD3F5215 * |
| 18.0 | TD2F4118 * | - | - |
| 20.0 | TD2F4120 * | - | - |

Cortical Drill





- Drill used for removing cortical bone from hard bone
- Drill to the bottom of each marking line
- The lower marking line is for drilling on normal bone and the upper marking line is for drilling on hard bone



| | | | | | | | |
|-------|--------------------|------------------|---------|---------|---------|---------|---------|
| | 3.0C (X-Narrow) | 3.0C (Narrow) | 3.5C | 4.0C | 4.5C | 5.0C | 5.5C |
| | CD3FXF30 | CD3FNF30 | CD4FF35 | CD4FF40 | CD4FF45 | CD4FF50 | CD4FF55 |
| COLOR | None | Purple | Yellow | Green | Blue | Red | Yellow |

Direction Pin

- Confirm gingiva height and path after implant placement
- DPSR4509: Available to use in case of Zenex I-System (Regular & Wide) and Zenex T-System (Regular & Wide)

| | | | | |
|----------|---|---|---|---|
| I-System | X-Narrow (Ø3.5) | Narrow (Ø3.5) | Mini (Ø3.5) | R/W (Ø4.5) |
| |  |  |  |  |
| | DPSX3510 | DPSN3510 | DPSM3510 | DPSR4509 |
| COLOR | Red | Purple | Green | Metal |

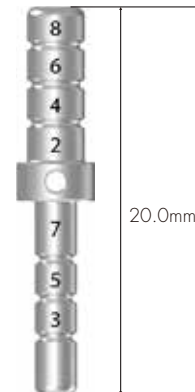
- For Zenex Multi I-System (based on connection): Narrow, Mini, Regular & Wide
- For Zenex Plus I-System (based on connection): X-Narrow, Mini, Regular & Wide

| | | | | |
|----------|---|---|----------|---|
| T-System | Mini (Ø3.5) | R/W (Ø4.5) | R-System | M/R/W (Ø4.0) |
| |  |  | |  |
| | DPTM4010 | DPSR4509 | | DPRR4009 |
| COLOR | Yellow | Metal | COLOR | Blue |

Zenex Easy Surgery Kit Instruments

Parallel Pin

- Used for confirmation of drilling depth and path
- Available to use after drilling with Ø2.2 Drill and Ø3.0 drill
- Composition in the kit: PP352230 (1 ea) + PP402230 (2 ea)



| D (mm) | Ø3.5 | Ø4.0 | Ø5.0 | Ø6.0 |
|--------|----------|----------|----------|----------|
| | PP352230 | PP402230 | PP502230 | PP602230 |

Fixture Driver

- For Contra Angle: Directly attached to fixture by connecting to handpiece when using Implant motor
- For Wrench: Directly attached to fixture by using Torque Wrench
- Two-staged coloring enables measurement up to 5mm height at 1mm interval
- Be sure to use after accurate connection because once used with incorrectly connected driver, it is impossible to remove fixture.
- Be sure to use accurate fixture driver according to the system of fixture.
- ※ Fixture Driver for Narrow of Zenex Multi I-System: Same with Mini of Zenex T-System (Optional)
- ※ Code not included in the FDCTX17S, FDRSX17S, All four drivers for Narrow of Zenex Multi I-System (FDCTM21S, FDCTM21L, FDRTM21S, FDRTM21L)

I-System

Contra Angle

Wrench



X-Narrow

Narrow

M/R/W

X-Narrow

Narrow

M/R/W

Short

FDCSX17S

FDCTM21S

FDCSR25S

FDRSX17S

FDRTM21S

FDRSR25S

Long

FDCSX17L

FDCTM21L

FDCSR25L

FDRSX17L

FDRTM21L

FDRSR25L

COLOR

Red

Yellow

Green

Red

Yellow

Green

- For Zenex Multi I-System (based on connection): Narrow, Mini, Regular & Wide
- For Zenex Plus I-System (based on connection): X-Narrow, Mini, Regular & Wide

T-System

Contra Angle



Mini

R/W

Wrench



Mini

R/W

Short

Long

COLOR

FDCTM21S

FDCTR25S

FDRTM21S

FDRTR25S

FDCTM21L

FDCTR25L

FDRTM21L

FDRTR25S

Yellow

Black

Yellow

Black

R-System

Contra Angle



M/R/W

Wrench



M/R/W

Short

Long

COLOR

FDCRR23S

FDRRR23S

FDCRR23L

FDRRR23L

Blue

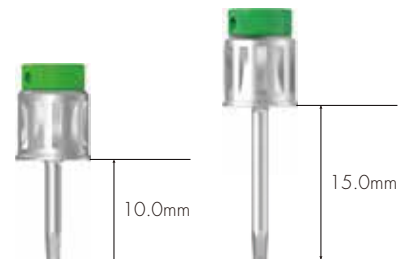
Blue

Zenex Easy Surgery Kit Instruments

1.2 Hex Driver

- Driver for connecting with Torque Wrench
- Used for connecting to cover screw and surgical instrument with 1.2 Hex
- Follow recommended tightening torque calculation value
- Be sure to check transformation of Hex tip before use

| | | |
|-----------|----------|----------|
| L (mm) | 10.0 | 15.0 |
| | HEDR1210 | HEDR1215 |



020
ZENEX
KIT

Torque Wrench

- Used for placing fixture and tightening implant abutments and screws
- Confirm torque calculation value by pulling the bar to be aligned with the marked line
- Recommended to use by pressing head to prevent detachment of Torque Wrench and surgical instruments



TW60B

Depth Gauge

- Measuring drilling depth
- Measurable depth: 6~20mm



DG1720

Steel Bowl

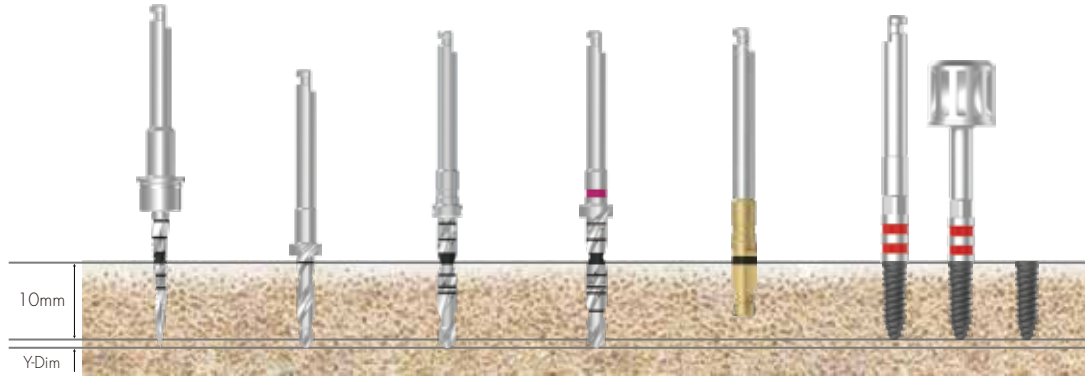
- Used for cleaning surgery instruments



STBOWL

Drilling Sequence

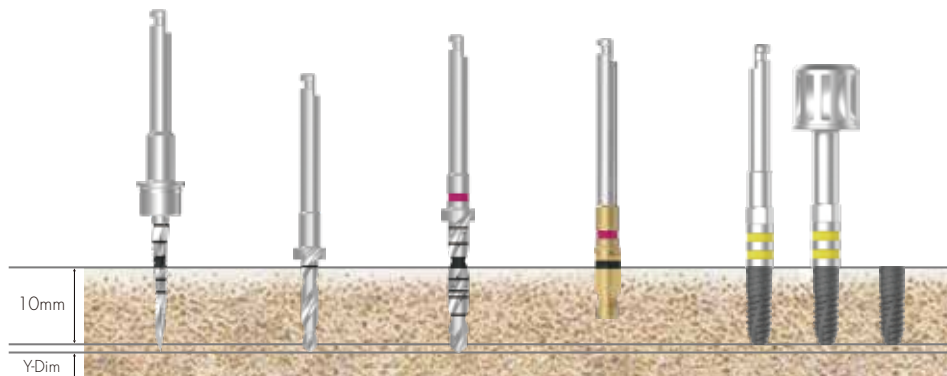
Ø 3.0mm Fixture (Zenex Plus I-System X-Narrow)



| Bone Quality | Guide Drill | Step Drill (Ø2.2) | Step Drill (Ø2.5) | Step Drill (Ø2.7) | Cortical Drill | Ø3.0 Fixture |
|--------------|-------------|-------------------|-------------------|-------------------|----------------|-------------------|
| Soft | ▶ | ▶ | ▶ | ▶ | | Implant Placement |
| Normal | ▶ | ▶ | ▶ | ▶ | | |
| Hard | ▶ | ▶ | ▶ | ▶ | ▶ | |

022
ZENEX
KIT

Ø 3.0mm Fixture (Zenex Multi I-System Narrow)

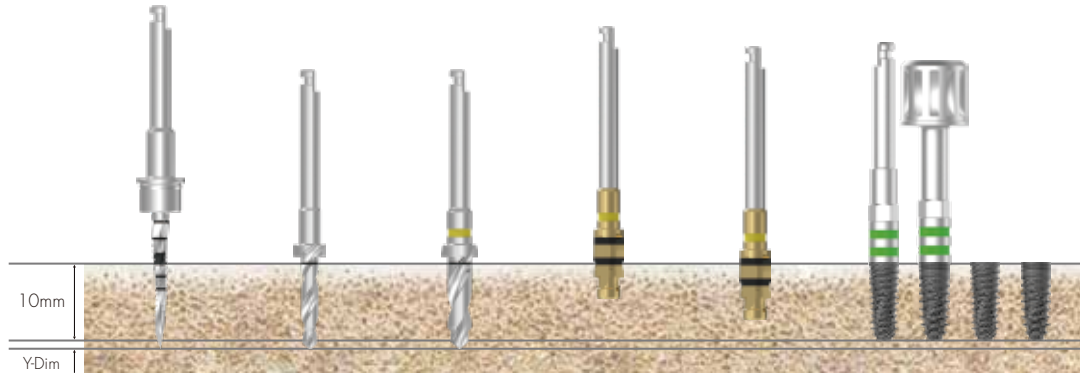


| Bone Quality | Guide Drill | Step Drill (Ø2.2) | Step Drill (Ø2.7) | Cortical Drill | Ø3.0 Fixture |
|--------------|-------------|-------------------|-------------------|----------------|-------------------|
| Soft | ▶ | ▶ | ▶ | | Implant Placement |
| Normal | ▶ | ▶ | ▶ | | |
| Hard | ▶ | ▶ | ▶ | ▶ | |

Drilling Sequence

Ø 3.5mm Fixture

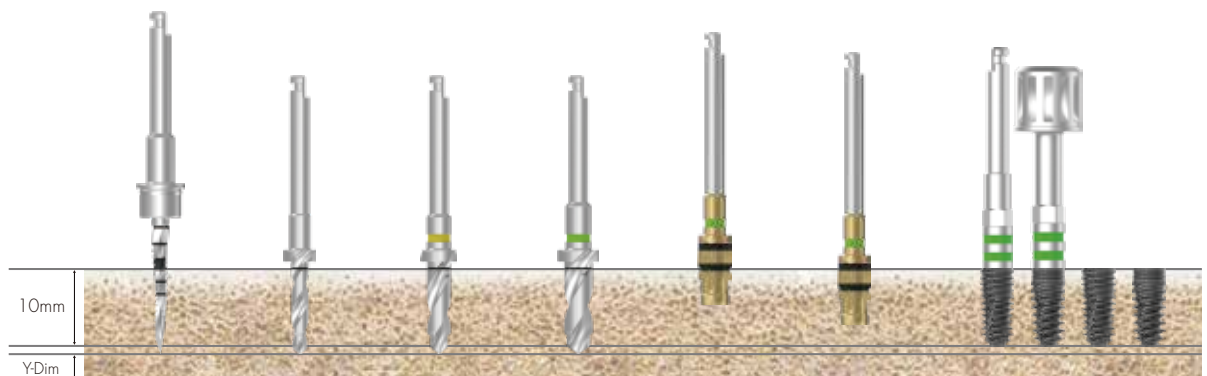
(Zenex Multi & Plus I-System Mini)



| Bone Quality | Guide Drill | Step Drill (Ø2.2) | Step Drill (Ø3.0) | Cortical Drill (Lower Line) | Cortical Drill (Upper Line) | Ø3.5 Fixture |
|--------------|-------------|-------------------|-------------------|-----------------------------|-----------------------------|-------------------|
| Soft | ▶ | ▶ | ▶ | | | Implant Placement |
| Normal | ▶ | ▶ | ▶ | ▶ | | |
| Hard | ▶ | ▶ | ▶ | | ▶ | |

Ø 4.0mm Fixture

(Zenex Multi & Plus I-System Regular)

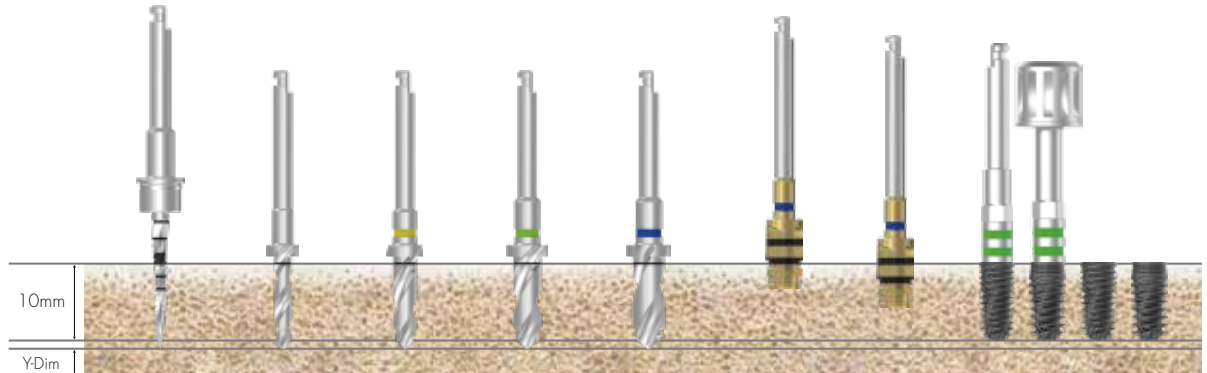


| Bone Quality | Guide Drill | Step Drill (Ø2.2) | Step Drill (Ø3.0) | Step Drill (Ø3.6) | Cortical Drill (Lower Line) | Cortical Drill (Upper Line) | Ø4.0 Fixture |
|--------------|-------------|-------------------|-------------------|-------------------|-----------------------------|-----------------------------|-------------------|
| Soft | ▶ | ▶ | ▶ | ▶ | | | Implant Placement |
| Normal | ▶ | ▶ | ▶ | ▶ | ▶ | | |
| Hard | ▶ | ▶ | ▶ | ▶ | | ▶ | |

Drilling Sequence

Ø 4.5mm Fixture

(Zenex Multi & Plus I-System Regular)

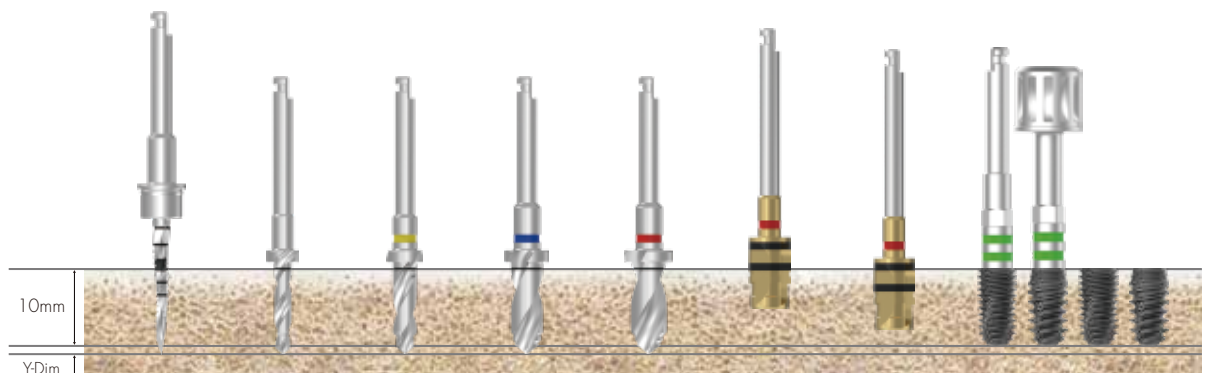


| Bone Quality | Guide Drill | Step Drill (Ø2.2) | Step Drill (Ø3.0) | Step Drill (Ø3.6) | Step Drill (Ø4.1) | Cortical Drill (Lower Line) | Cortical Drill (Upper Line) | Ø4.5 Fixture |
|--------------|-------------|-------------------|-------------------|-------------------|-------------------|-----------------------------|-----------------------------|-------------------|
| Soft | ▶ | ▶ | ▶ | ▶ | ▶ | | | Implant Placement |
| Normal | ▶ | ▶ | ▶ | ▶ | ▶ | ▶ | | |
| Hard | ▶ | ▶ | ▶ | ▶ | ▶ | | ▶ | |

024
ZENEX
KIT

Ø 5.0mm Fixture

(Zenex Multi & Plus I-System Wide)

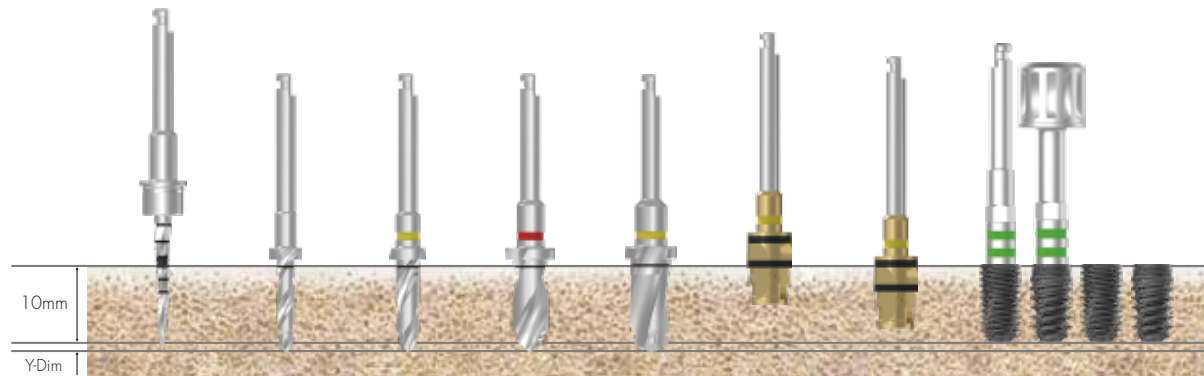


| Bone Quality | Guide Drill | Step Drill (Ø2.2) | Step Drill (Ø3.0) | Step Drill (Ø4.1) | Step Drill (Ø4.6) | Cortical Drill (Lower Line) | Cortical Drill (Upper Line) | Ø5.0 Fixture |
|--------------|-------------|-------------------|-------------------|-------------------|-------------------|-----------------------------|-----------------------------|-------------------|
| Soft | ▶ | ▶ | ▶ | ▶ | ▶ | | | Implant Placement |
| Normal | ▶ | ▶ | ▶ | ▶ | ▶ | ▶ | | |
| Hard | ▶ | ▶ | ▶ | ▶ | ▶ | | ▶ | |

Drilling Sequence

Ø 5.5mm Fixture

(Zenex Multi & Plus I-System Wide)

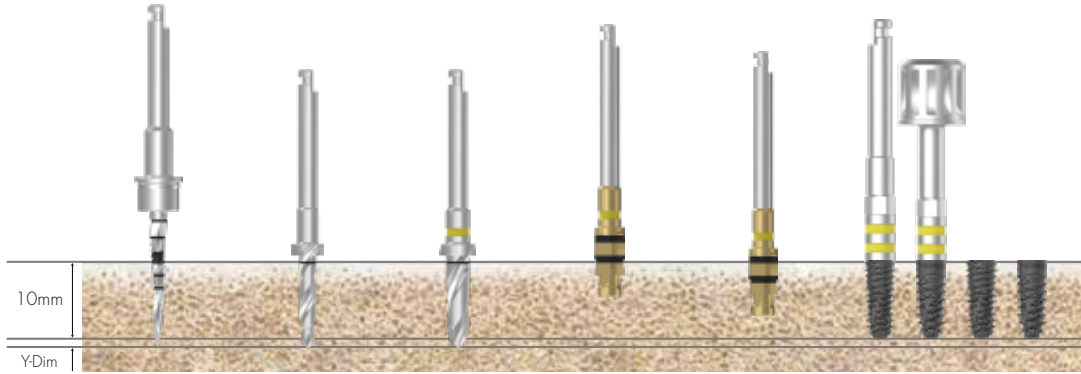


| Bone Quality | Guide Drill | Step Drill (Ø2.2) | Step Drill (Ø3.0) | Step Drill (Ø4.6) | Step Drill (Ø5.2) | Cortical Drill (Lower Line) | Cortical Drill (Upper Line) | Ø5.5 Fixture |
|--------------|-------------|-------------------|-------------------|-------------------|-------------------|-----------------------------|-----------------------------|-------------------|
| Soft | ▶ | ▶ | ▶ | ▶ | ▶ | | | Implant Placement |
| Normal | ▶ | ▶ | ▶ | ▶ | ▶ | ▶ | | |
| Hard | ▶ | ▶ | ▶ | ▶ | ▶ | | ▶ | |

Drilling Sequence

Ø 3.5mm Fixture

(Zenex Multi & Plus T-System Mini)

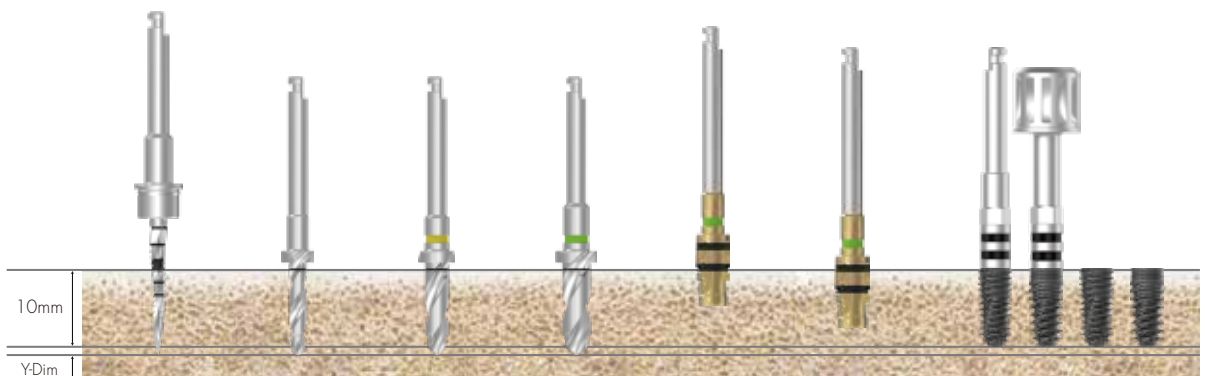


| Bone Quality | Guide Drill | Step Drill (Ø2.2) | Step Drill (Ø3.0) | Cortical Drill (Lower Line) | Cortical Drill (Upper Line) | Ø3.5 Fixture |
|--------------|-------------|-------------------|-------------------|-----------------------------|-----------------------------|-------------------|
| Soft | ▶ | ▶ | ▶ | | | Implant Placement |
| Normal | ▶ | ▶ | ▶ | ▶ | | |
| Hard | ▶ | ▶ | ▶ | | ▶ | |

026
ZENEX
KIT

Ø 4.0mm Fixture

(Zenex Multi & Plus T-System Regular)

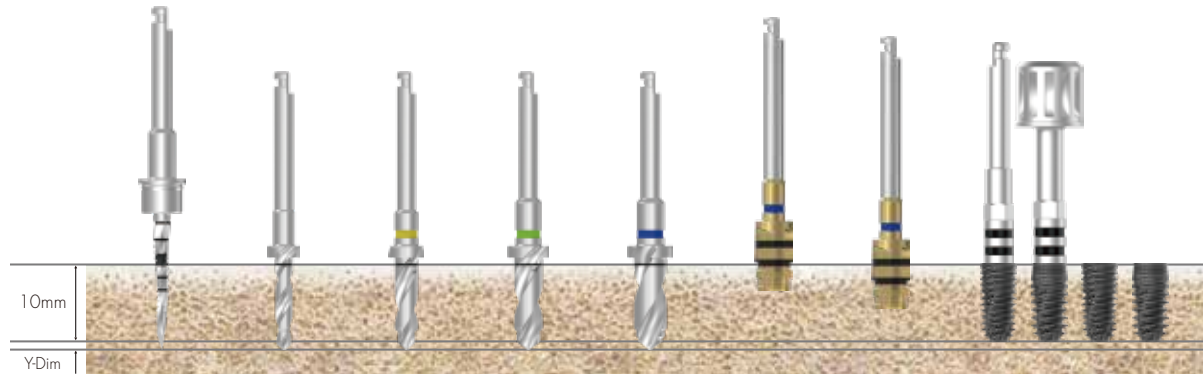


| Bone Quality | Guide Drill | Step Drill (Ø2.2) | Step Drill (Ø3.0) | Step Drill (Ø3.6) | Cortical Drill (Lower Line) | Cortical Drill (Upper Line) | Ø4.0 Fixture |
|--------------|-------------|-------------------|-------------------|-------------------|-----------------------------|-----------------------------|-------------------|
| Soft | ▶ | ▶ | ▶ | ▶ | | | Implant Placement |
| Normal | ▶ | ▶ | ▶ | ▶ | ▶ | | |
| Hard | ▶ | ▶ | ▶ | ▶ | | ▶ | |

Drilling Sequence

Ø 4.5mm Fixture

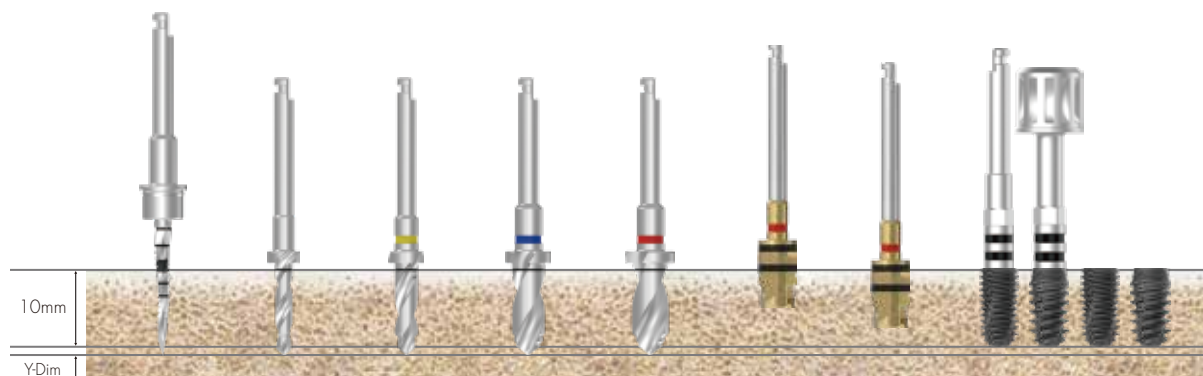
(Zenex Multi & Plus T-System Regular)



| Bone Quality | Guide Drill | Step Drill (Ø2.2) | Step Drill (Ø3.0) | Step Drill (Ø3.6) | Step Drill (Ø4.1) | Cortical Drill (Lower Line) | Cortical Drill (Upper Line) | Ø4.5 Fixture |
|--------------|-------------|-------------------|-------------------|-------------------|-------------------|-----------------------------|-----------------------------|-------------------|
| Soft | ▶ | ▶ | ▶ | ▶ | ▶ | | | Implant Placement |
| Normal | ▶ | ▶ | ▶ | ▶ | ▶ | ▶ | | |
| Hard | ▶ | ▶ | ▶ | ▶ | ▶ | | ▶ | |

Ø 5.0mm Fixture

(Zenex Multi & Plus T-System Wide)

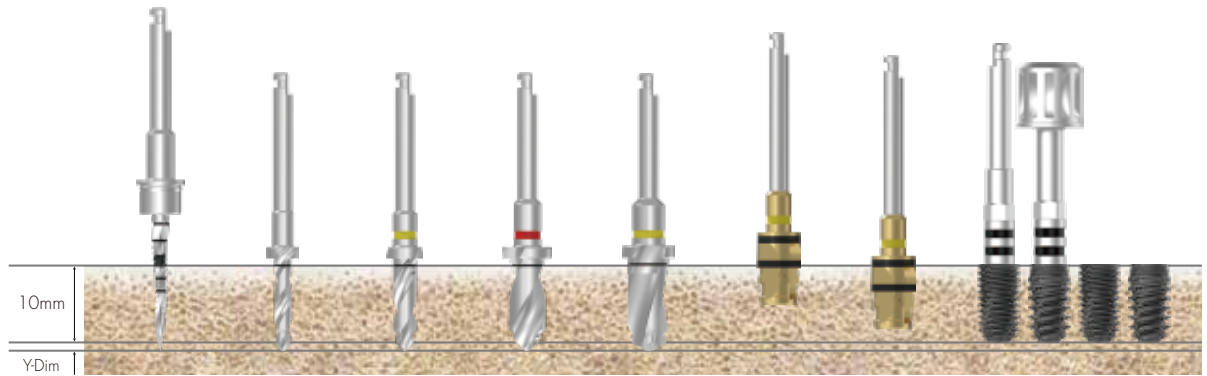


| Bone Quality | Guide Drill | Step Drill (Ø2.2) | Step Drill (Ø3.0) | Step Drill (Ø4.1) | Step Drill (Ø4.6) | Cortical Drill (Lower Line) | Cortical Drill (Upper Line) | Ø5.0 Fixture |
|--------------|-------------|-------------------|-------------------|-------------------|-------------------|-----------------------------|-----------------------------|-------------------|
| Soft | ▶ | ▶ | ▶ | ▶ | ▶ | | | Implant Placement |
| Normal | ▶ | ▶ | ▶ | ▶ | ▶ | ▶ | | |
| Hard | ▶ | ▶ | ▶ | ▶ | ▶ | | ▶ | |

Drilling Sequence

Ø 5.5mm Fixture

(Zenex Multi & Plus T-System Wide)

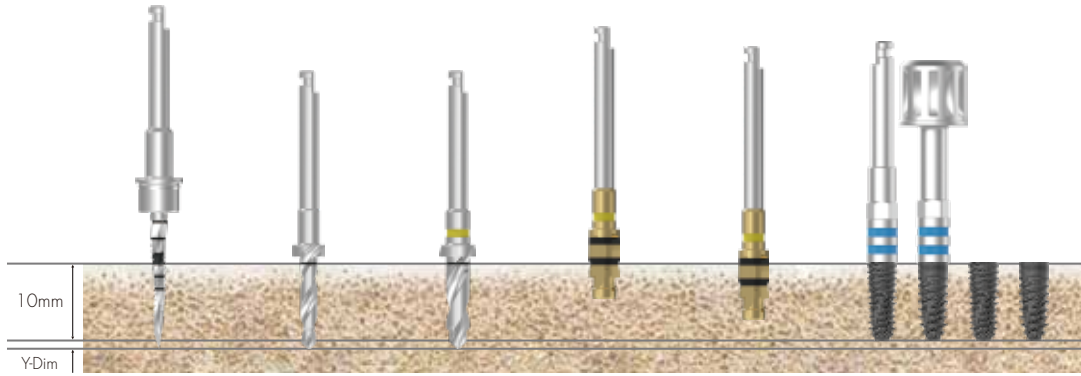


| Bone Quality | Guide Drill | Step Drill (Ø2.2) | Step Drill (Ø3.0) | Step Drill (Ø4.6) | Step Drill (Ø5.2) | Cortical Drill (Lower Line) | Cortical Drill (Upper Line) | Ø5.5 Fixture |
|--------------|-------------|-------------------|-------------------|-------------------|-------------------|-----------------------------|-----------------------------|-------------------|
| Soft | ▶ | ▶ | ▶ | ▶ | ▶ | | | Implant Placement |
| Normal | ▶ | ▶ | ▶ | ▶ | ▶ | ▶ | | |
| Hard | ▶ | ▶ | ▶ | ▶ | ▶ | | ▶ | |

Drilling Sequence

Ø 3.5mm Fixture

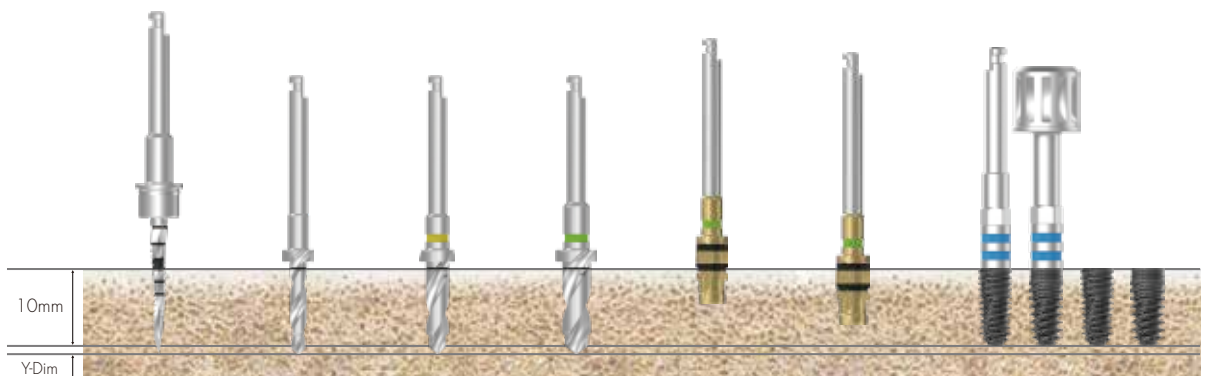
(Zenex Multi & Plus R-System Mini)



| Bone Quality | Guide Drill | Step Drill (Ø2.2) | Step Drill (Ø3.0) | Cortical Drill (Lower Line) | Cortical Drill (Upper Line) | Ø3.5 Fixture |
|--------------|-------------|-------------------|-------------------|-----------------------------|-----------------------------|-------------------|
| Soft | ▶ | ▶ | ▶ | | | Implant Placement |
| Normal | ▶ | ▶ | ▶ | ▶ | | |
| Hard | ▶ | ▶ | ▶ | | ▶ | |

Ø 4.0mm Fixture

(Zenex Multi & Plus R-System Regular)

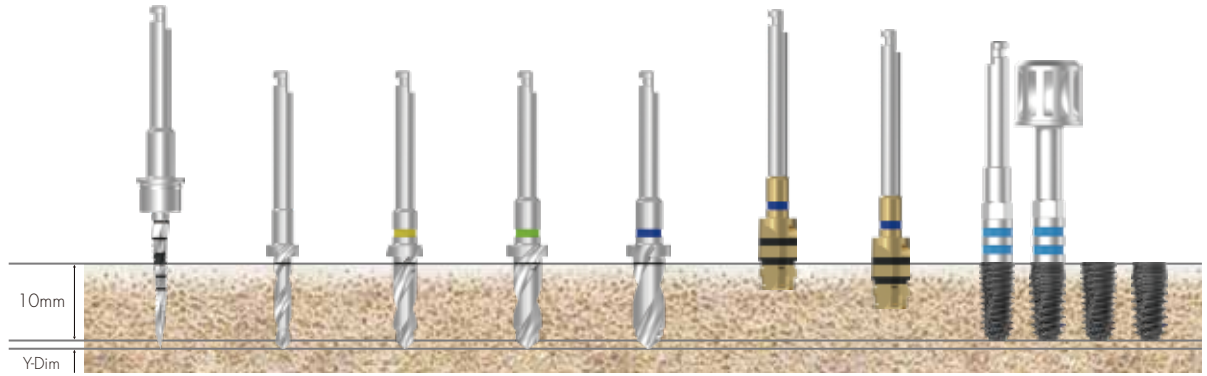


| Bone Quality | Guide Drill | Step Drill (Ø2.2) | Step Drill (Ø3.0) | Step Drill (Ø3.6) | Cortical Drill (Lower Line) | Cortical Drill (Upper Line) | Ø4.0 Fixture |
|--------------|-------------|-------------------|-------------------|-------------------|-----------------------------|-----------------------------|-------------------|
| Soft | ▶ | ▶ | ▶ | ▶ | | | Implant Placement |
| Normal | ▶ | ▶ | ▶ | ▶ | ▶ | | |
| Hard | ▶ | ▶ | ▶ | ▶ | | ▶ | |

Drilling Sequence

Ø 4.5mm Fixture

(Zenex Multi & Plus R-System Regular)

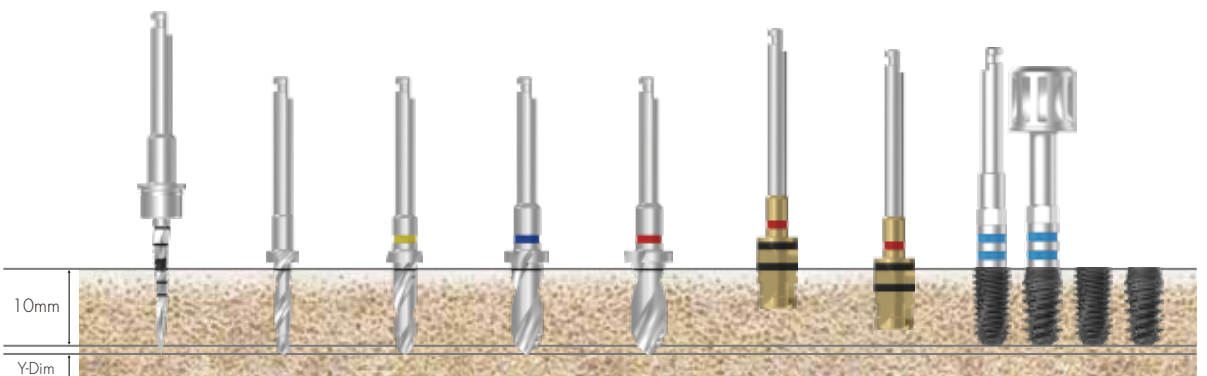


| Bone Quality | Guide Drill | Step Drill (Ø2.2) | Step Drill (Ø3.0) | Step Drill (Ø3.6) | Step Drill (Ø4.1) | Cortical Drill (Lower Line) | Cortical Drill (Upper Line) | Ø4.5 Fixture |
|--------------|-------------|-------------------|-------------------|-------------------|-------------------|-----------------------------|-----------------------------|-------------------|
| Soft | ▶ | ▶ | ▶ | ▶ | ▶ | | | Implant Placement |
| Normal | ▶ | ▶ | ▶ | ▶ | ▶ | ▶ | | |
| Hard | ▶ | ▶ | ▶ | ▶ | ▶ | | ▶ | |

030
ZENEX
KIT

Ø 5.0mm Fixture

(Zenex Multi & Plus R-System Wide)

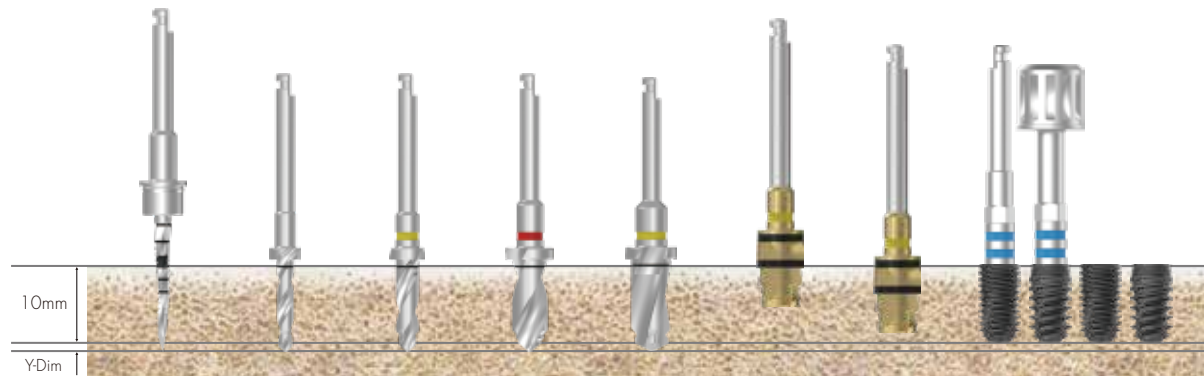


| Bone Quality | Guide Drill | Step Drill (Ø2.2) | Step Drill (Ø3.0) | Step Drill (Ø4.1) | Step Drill (Ø4.6) | Cortical Drill (Lower Line) | Cortical Drill (Upper Line) | Ø5.0 Fixture |
|--------------|-------------|-------------------|-------------------|-------------------|-------------------|-----------------------------|-----------------------------|-------------------|
| Soft | ▶ | ▶ | ▶ | ▶ | ▶ | | | Implant Placement |
| Normal | ▶ | ▶ | ▶ | ▶ | ▶ | ▶ | | |
| Hard | ▶ | ▶ | ▶ | ▶ | ▶ | | ▶ | |

Drilling Sequence

Ø 5.5mm Fixture

(Zenex Multi & Plus R-System Wide)



| Bone Quality | Guide Drill | Step Drill (Ø2.2) | Step Drill (Ø3.0) | Step Drill (Ø4.6) | Step Drill (Ø5.2) | Cortical Drill (Lower Line) | Cortical Drill (Upper Line) | Ø5.5 Fixture |
|--------------|-------------|-------------------|-------------------|-------------------|-------------------|-----------------------------|-----------------------------|-------------------|
| Soft | ▶ | ▶ | ▶ | ▶ | ▶ | | | Implant Placement |
| Normal | ▶ | ▶ | ▶ | ▶ | ▶ | ▶ | | |
| Hard | ▶ | ▶ | ▶ | ▶ | ▶ | | ▶ | |

Other Surgical Instruments

Tissue Punch

- Marked with a gap of 2mm each to measure gingiva height
- Surgical instrument for Flapless surgery



| D (mm) | Ø3.3 | Ø3.8 | Ø4.3 | Ø4.8 | Ø5.3 |
|--------|--------|--------|--------|--------|--------|
| | TP3308 | TP3808 | TP4308 | TP4808 | TP5308 |

032
ZENEX
KIT

Trephine Drill

- Use for collecting autogenous bone or removing failed fixture
- In case of Superwide fixture placement, available to use as initial drill



| D (mm) | Ø3.7/4.5 | Ø4.2/5.0 | Ø4.7/5.5 | Ø5.2/6.0 | Ø5.7/6.5 | Ø6.2/7.0 |
|--------|----------|----------|----------|----------|----------|----------|
| | TD3718 | TD4218 | TD4718 | TD5218 | TD5718 | TD6218 |

Bone Profiler

- Use for removing marginal bone around fixture during the one-stage and two-stages surgery
- Available to connect Healing Abutment by removing marginal bone after connecting Bone Profiler Guide Screw to the connection on Fixture
- Secure guided length of Bone Profiler Guide Screw to remove bone accurately for deeply placed fixture
- Bone Profiler Guide Screw is used for protecting fixture connection during use



I-System ※ Only for I-System

| D (mm) | Ø4.1 (For Ø3.0 X-Narrow) | | Ø4.1 (For Ø3.0 Narrow) | |
|-----------|-----------------------------|----------|---------------------------|----------|
| | | SBP41SXS | | SBP41SNS |

| D (mm) | Ø4.1 | Ø4.6 | Ø5.6 | Ø7.6 |
|-----------|---------|---------|---------|---------|
| | SBP41SS | SBP46SS | SBP56SS | SBP76SS |

T-System ※ Only for T-System

| D (mm) | Ø4.1 | Ø4.6 | Ø5.6 | Ø7.6 |
|-----------|---------|---------|---------|---------|
| | SBP41TS | SBP46TS | SBP56TS | SBP76TS |

R-System ※ Only for R-System

| D (mm) | Ø4.1 | Ø4.6 | Ø5.6 | Ø7.6 |
|-----------|---------|---------|---------|---------|
| | SBP41RS | SBP46RS | SBP56RS | SBP76RS |

| | I-System | | | | T-System | R-System | |
|---------------------------|-----------|-----------|-----------|-----------|-----------|-----------|-----------|
| Bone Profiler Guide Screw | X-Narrow | Narrow | Mini | Regular | Mini | Mini | Regular |
| | SBPGSSX14 | SBPGSSN20 | SBPGSSM20 | SBPGSSR20 | SBPGSTM20 | SBPGSRM18 | SBPGSRR18 |